

ROBUS®

EMERGENCY

FINCH EMERGENCY TWIN SPOT

2.2W, IP20



PRODUCT INFORMATION DOCUMENT

CONSTRUCTION

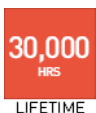
- Pressed steel powder-coated housing
- Polycarbonate heads with prismatic diffusers
- LiFePO₄ battery

FEATURES

- Standard (RFN2-01) and Self-Test (RFN2ST-01) versions available
- Fully adjustable lightheads enabling emergency illumination where required
- 20mm conduit entries on either side and keyhole mounting slots for ease of installation
- Non-maintained



WARRANTY



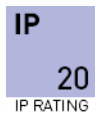
LIFETIME



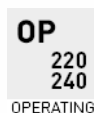
LUMENS PER W



BATTERY



IP RATING



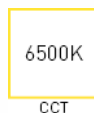
OPERATING VOLTAGE



BEAM ANGLE



NON DIMMABLE



CCT



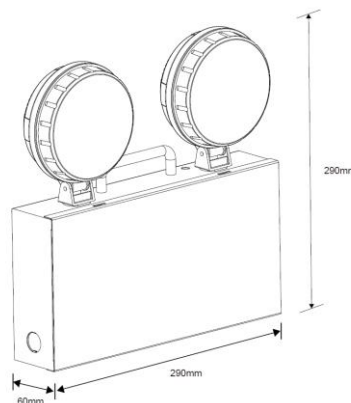
SAFETY CLASS



BATTERY

Standard:	RFN2-01
Self-Test:	RFN2ST-01
Comparable to:	2x20W halogen
Total Power (W):	2.2
Total Light Output (lm):	NA
Total Emergency Light Output (lm):	2x155
Efficacy (lm/cctW):	NA
Lux at 1m (lux):	NA
Emergency Lux at 1m (lux):	50
CCT (K):	6,500
CRI:	80
IP:	20
Operation Temperature (°C):	0 ≤ T _a ≤ +40
Inrush Current:	5A/1ms
RG Value:	0
L70B50 or the variant:	54,000
Dimensions LxWxH:	290x290x60
Weight (kg):	1.3

Product is certified to all the relevant standards.
Please contact our technical department for market specific compliances.



Height	Eavg, Emax	Diameter
1m	14.43, 50.691lx	294.29cm
2m	3.608, 12.671lx	588.58cm
3m	1.604, 5.6321lx	882.87cm
4m	0.9021, 3.1681lx	1177.16cm
5m	0.5774, 2.0271lx	1471.46cm
6m	0.4009, 1.4081lx	1765.75cm
7m	0.2946, 1.0341lx	2060.04cm
8m	0.2255, 0.79201lx	2354.33cm
9m	0.1782, 0.62581lx	2648.62cm
10m	0.1443, 0.50691lx	2942.91cm

PLEASE NOTE: INFORMATION IN THIS DOCUMENT MAY BE SUBJECT TO CHANGE WITHOUT PRIOR NOTICE

IRE: TEL: +353 1 709 9000
UK: TEL: 0800 973 220
AUS: TEL: +61 7 3890 5444
NZ: TEL: +64 03 668 5285

WEB: WWW.ROBUS.COM
WEB: WWW.ROBUS.COM
WEB: WWW.ROBUS.COM.AU
WEB: WWW.ROBUSLED.CO.NZ

LED GROUP EUROPE · AUSTRALIA · NEW ZEALAND · ASIA · MIDDLE EAST · AFRICA